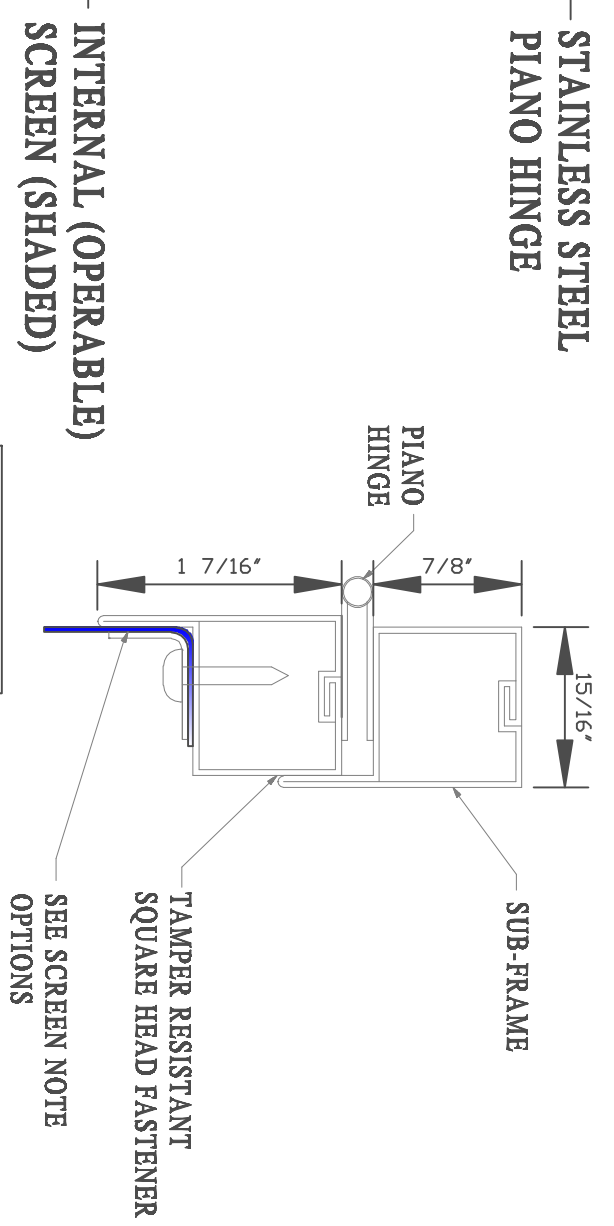


TYPICAL SECTION THRU SCREEN (3X SIZE)



INFILL OPTIONS:

- EXPANDED STEEL
- PERFORATED STEEL
- PERFORATED ALUMINUM

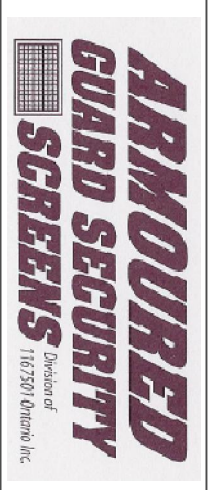
SIZES AVAILABLE:

- 0.018"
- 0.023"
- 0.028"

NOTES

REMOVE ALL SHARP EDGES
 ALL DIMENTIONS ARE IN INCHES
 ALL TOLERANCES ± 0.010
 UNLESS OTHERWISE NOTED

© COPYRIGHT 2015



THIS DRAWING INCLUDES PRINCIPLES OF DESIGN, IS THE PROPERTY OF ARMORED GUARD SECURITY SCREENS INC. IT MUST NOT BE COPIED, REPRODUCED OR USED IN ANY WAY THAT IT MAY BE A DETRIMENT TO THE ABOVE.

TITLE		MATERIAL	
MODEL SERIES #1500		AS NOTED	
DRAWN BY:	DATE	ILLUSTRATING:	REVISION
J.S.	SEPT.9, 2015	ELEV. AND DETAILS	1 OF 1
SCALE:	REVISION DATE	PAGE NUMBER	REVISION
AS NOTED	---	1 OF 1	-